

ÉTREINTE
ARMCHAIRS


JUMBO
COLLECTION
A LUXURY EXPERIENCE



ÉTREINTE ARMCHAIRS

DESCRIPTION

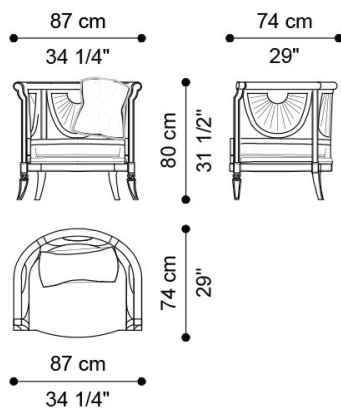
Armchair with structure in hand-carved lime wood finished in antique gold with patina J288O. Padding in foam. Upholstery in fabric MIL. 24.10 with piping in fabric MIL. 24.19. Seat cushion upholstered in fabric MIL. 24.03.

N° 1 decorative cushion 50 x 50 cm with upholstery in fabric MIL. 24.01 and piping in fabric MIL. 24.19 included.

DIMENSIONS

ARMCHAIR

J.ETR-41



L 87 D 74 H 80 CM