

**FLORAL**  
DINING TABLES



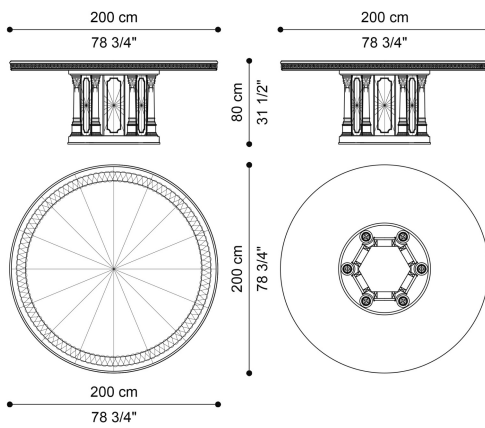
## DESCRIPTION

Round dining table with structure in multilayer wood veneered in Tanganika. Brass inlays. White lacquered neoclassical columns, with brass bases with lost-wax cast brass details. Ray-of-sunshine Tanganika top, with walnut inlay and hand-painted floral decoration. Details in gold leaf finishing JG308.

## DIMENSIONS

### DINING TABLE

#### J.FLR-14R



Ø 200 H 80 CM