

BOHÈME
NIGHT STORAGE UNITS


**JUMBO
COLLECTION**
A LUXURY EXPERIENCE



BOHÈME

NIGHT STORAGE UNITS

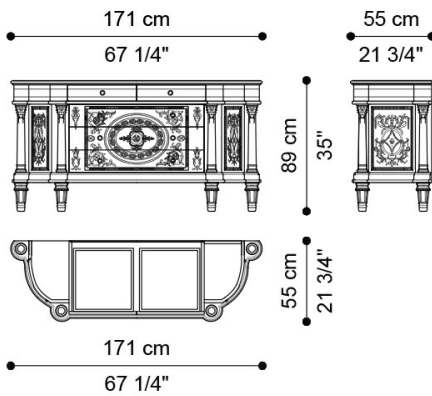
DESCRIPTION

Drawer unit with five drawers. Structure in multilayer wood lacquered white and grey. Hand-carved decorative elements, frames and details in antique gold finishing with grey patina JG309. Neoclassical columns. Drawers with inner lining in microfibre MIL. 21.13A. White Namibia Rhino marble top.

DIMENSIONS

DRAWER UNIT

J.BOH-03B



L 171 D 55 H 89 CM