

BOHÈME  
BEAUTY

  
JUMBO  
COLLECTION  
A LUXURY EXPERIENCE



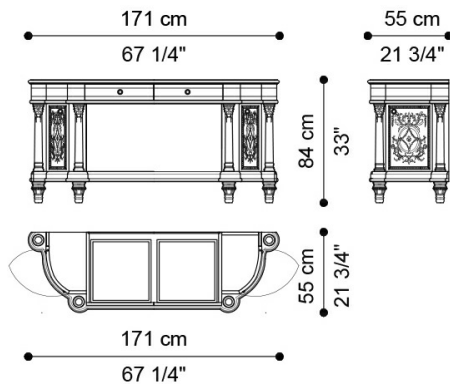
**DESCRIPTION**

Dressing table with two doors and two drawers. Structure in multilayer wood lacquered white and grey. Hand-carved decorative elements, frames and details in antique gold finishing with grey patina JG309. Neoclassical columns. Drawers with inner lining in microfibre MIL. 21.13A. White Namibia Rhino marble top.

**DIMENSIONS**

DRESSING TABLE

**J.BOH-03**



L 171 D 55 H 84 CM