

LUMIÈRE
DAY STORAGE UNITS


JUMBO
COLLECTION
A LUXURY EXPERIENCE



LUMIÈRE

DAY STORAGE UNITS

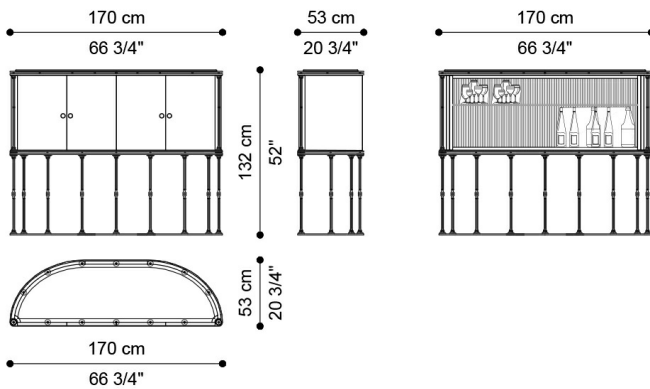
DESCRIPTION

Bar cabinet with base in metal with lost-wax cast brass details. Upper structure in curved wood. N° 4 doors with lacquered finishing and gold leaf laser engraved decoration "landscape" JG300. Interior with glass shelves for glasses and bottles. Back covered in antique mirror. Top in white Namibia Rhino marble.

DIMENSIONS

BAR CABINET

J.LUM-33B



L 170 D 53 H 132 CM