

CRYSTAL  
LOW TABLES

  
JUMBO  
COLLECTION  
A LUXURY EXPERIENCE

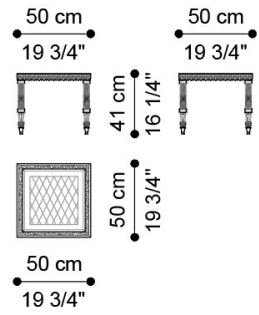


**DESCRIPTION**

Low table with metal structure and cast details finished in antique gold leaf JG306. Crystal columns and bevelled glass top.

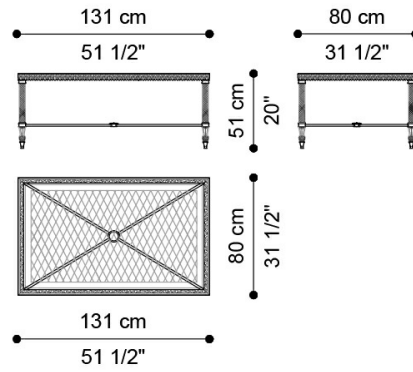
**DIMENSIONS**

LOW TABLE  
**J.CRYS-146**



L 50 D 50 H 41 CM

LOW TABLE  
**J.CRYS-146B**



L 131 D 80 H 51 CM