

CRYSTAL
ARMCHAIRS


JUMBO
COLLECTION
A LUXURY EXPERIENCE



CRYSTAL ARMCHAIRS

DESCRIPTION

Armchair with structure in beechwood. Padding in foam. Upholstery in fabric MIL. 25.16 for outer structure and MIL. 17.05 for inner structure and seat cushion. Twisted cord trimming. Fringe on the base of the armchair.

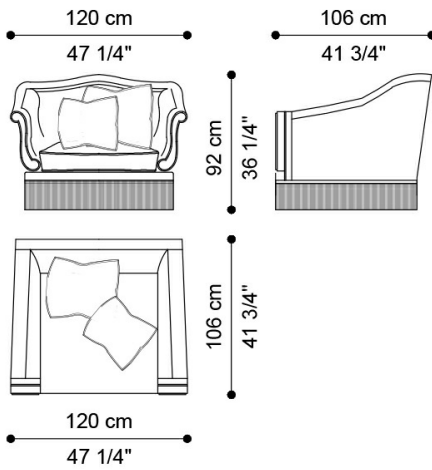
N° 3 cushions with classical trimming included.

N° 1 cushion 60 x 60 cm, with upholstery in fabric MIL. 25.14. N° 1 cushion 50 x 50 cm, with upholstery in fabric MIL. 25.12. N° 1 cushion 50 x 30 cm, with upholstery in fabric MIL. 17.05.

DIMENSIONS

ARMCHAIR

J.CRYS-251



L 120 D 106 H 92 CM