



**DESCRIPTION**

Structure in wood. Hand-carved legs with gold leaf finishing J288O. Padding in foam. Upholstery in fabric MIL. 21.03 and MIL. 21.16 (J.VEV-42), or in fabric MIL. 23.02 with piping in fabric MIL. 19.11 (J.VEV-73).

3-seater sofa J.VEV-73: n° 9 cushions included.

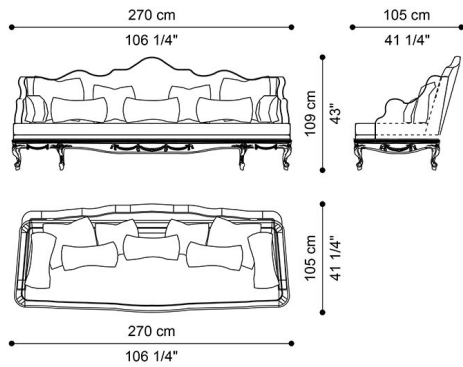
N° 2 cushions 50x50 cm, with upholstery in fabric MIL. 23.04. N° 2 cushions 50x50 cm, with upholstery in fabric MIL. 23.05. N° 3 cushions 50x50 cm, with upholstery in fabric MIL. 23.06. N° 2 cushions 50x30 cm, with upholstery in fabric MIL. 23.01 and JC logo embroidery. All cushions with velvet profile MIL. 19.11.

2-seater sofa J.VEV-42: n° 8 cushions included.

N° 2 cushions 50x50 cm, with upholstery in fabric MIL. 21.16. N° 2 cushions 45x45 cm, with upholstery in fabric MIL. 21.03. N° 2 cushions 50x30 cm, with upholstery in fabric MIL. 21.03. N° 2 cushions 50x30 cm, with upholstery in fabric MIL. 21.16 and JC logo embroidery.

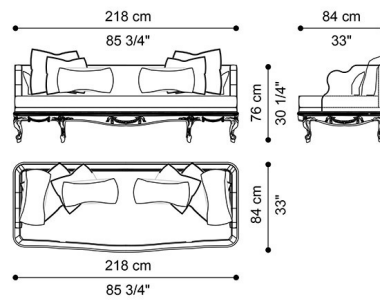
**DIMENSIONS**

**3-SEATER SOFA**  
**J.VEV-73**



L 270 D 105 H 109 CM

**2-SEATER SOFA**  
**J.VEV-42**



L 218 D 84 H 76 CM