

LUMIÈRE
DAY STORAGE UNITS



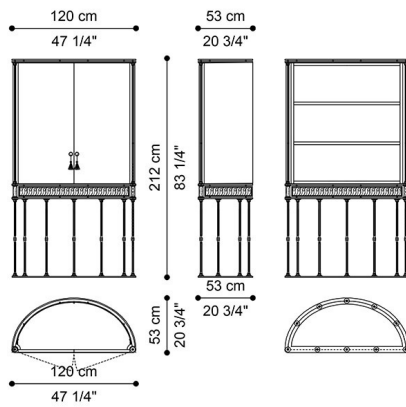
DESCRIPTION

Cabinet J.LUM-13: Base in metal with lost-wax cast brass details. Frame in hand-carved wood with gold leaf finishing. Upper structure in curved wood, with two doors with lacquered finishing and gold leaf laser engraved decoration "landscape" JG300. Interior with shelves in wood.

Bar cabinet J.LUM-33: Base in metal with lost-wax cast brass details. Frame in hand-carved wood with gold leaf finishing. Upper structure in curved wood, with two doors with lacquered finishing and gold leaf laser engraved decoration "landscape" JG300. Interior with glass shelves and brass railings for glasses and bottles. Back covered in antique mirror.

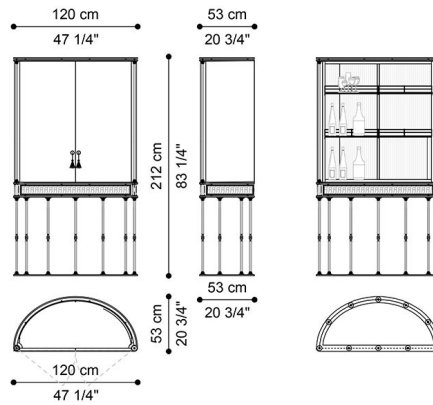
DIMENSIONS

CABINET J.LUM-13



L 120 D 53 H 212 CM

BAR CABINET J.LUM-33



L 120 D 53 H 212 CM