

VERVEINE
CHAISE LONGUES AND DORMEUSES



VERVEINE

CHAISE LONGUES AND DORMEUSES

DESCRIPTION

Dormeuse with structure in hand-carved beechwood finished in antique gold with patina J288O. Padding in foam.

Upholstery in fabric MIL. 21.07 and piping in fabric MIL. 21.15.

N° 3 cushions included.

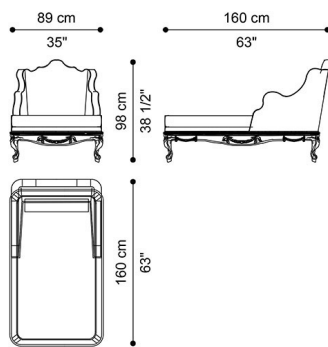
N° 1 cushion 50x50 cm, with upholstery in fabric MIL. 21.10. N° 1 cushion 45x45 cm, with upholstery in fabric MIL. 21.06. N°

1 cushion 30x50 cm, with upholstery in fabric MIL. 21.15 and JC logo embroidery.

DIMENSIONS

DORMEUSE

J.VEV-48



L 160 D 89 H 98 CM