

BROCART  
BEAUTY

  
JUMBO  
COLLECTION  
A LUXURY EXPERIENCE



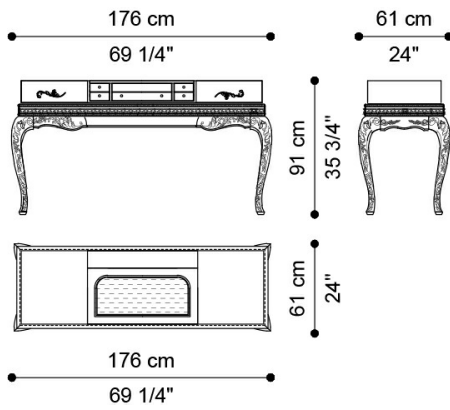
**DESCRIPTION**

Dressing table with base in wood, hand-carved legs and decorative frame finished in antique gold with patina J288O. Structure in lacquered wood with gold leaf laser engraved lace decoration JG301. Top in leather MIL. 21.12A. Two drawers with inner cover in microfibre MIL. 21.13A.

**DIMENSIONS**

DRESSING TABLE

**J.BRC-03**



L 176 D 61 H 91 CM