



---

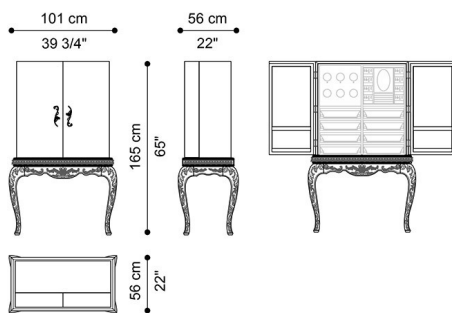
**DESCRIPTION**

Jewel cabinet with base in wood, hand-carved legs and decorative frame finished in antique gold with patina J288O. Structure in lacquered wood with gold leaf laser engraved lace decoration JG301. Two doors. Internal compartments equipped with drawers, three electrical clock-rotors, three clock compartments and accessories compartments covered in leather MIL. 21.12A and microfibre MIL. 21.13A.

---

**DIMENSIONS**

**CABINET  
J.BRC-33**



L 101 D 56 H 165 CM