



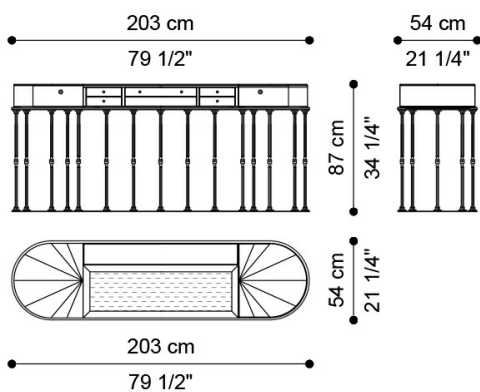
DESCRIPTION

Dressing table with base in metal with lost-wax cast brass details. Structure in white frisé Tanganika with details in gold leaf finishing JG305. Top covered in leather MIL. 21.11A.
N° 2 side drawers and n° 5 small drawers for accessories with lining in microfibre MIL. 21.13A.

DIMENSIONS

DRESSING TABLE

J.LUM-03



L 203 D 54 H 87 CM