

BOULEVARD
NIGHT STORAGE UNITS


**JUMBO
COLLECTION**
A LUXURY EXPERIENCE



BOULEVARD NIGHT STORAGE UNITS

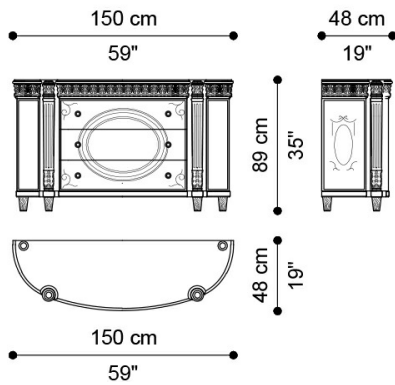
DESCRIPTION

Drawer unit with hand-carved feet and details with gold leaf finishing. Structure in wood, with drawers and sides lacquered with hand-made neoclassical decoration JG307. Interior with white lacquered finishing and cover in microfibre MIL. 21.13A. White Namibia Rhino marble top.

DIMENSIONS

DRAWER UNIT

J.BOU-03B



L 150 D 48 H 89 CM